

FLANGE RESISTORS

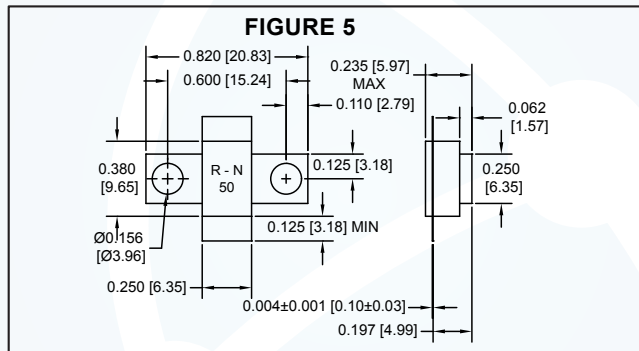
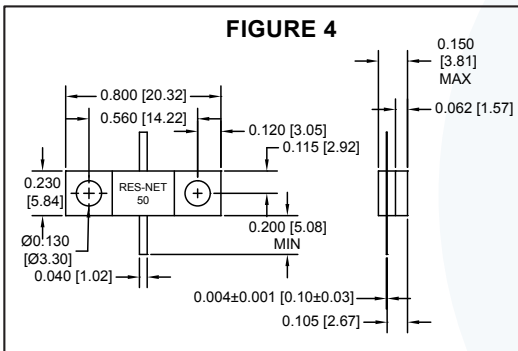
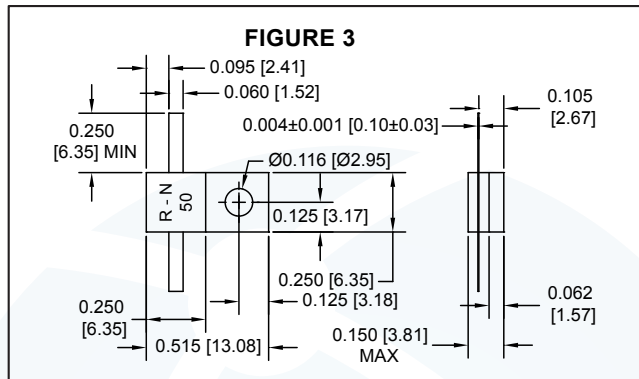
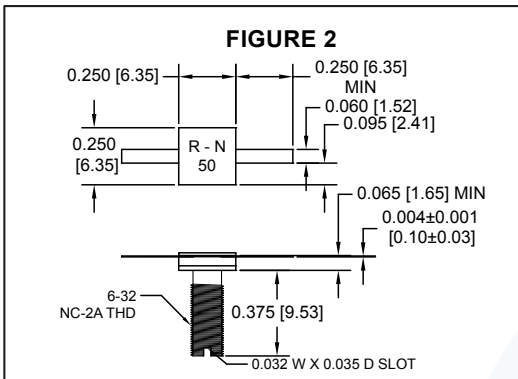
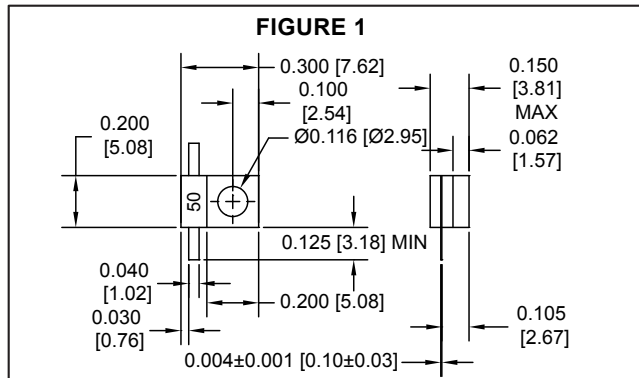


General Specifications

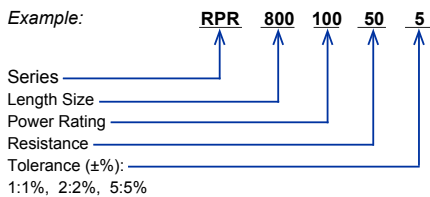
Substrate: Beryllium Oxide
 Resistive Film: Thick Film
 Resistance: XXX = 0.5 to 1 MOhm
 Tabs: Silver Plated Beryllium Copper
 Flange: Nickel Plated Copper
 Cover: Alumina
 Operating Temperature: -55°C to +150°C



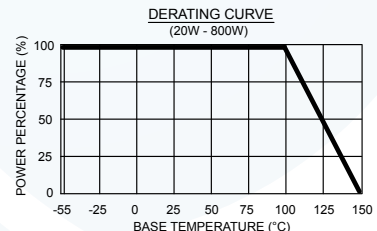
Part Number	Power (W)	Figure
RPR300-20-XXX-Y	20	1
RPS100R-XXX-Y	100	2
RPR515-20-XXX-Y	20	3
RPR515-30-XXX-Y	30	3
RPR515-100-XXX-Y	100	3
RPR800-40-XXX-Y	40	4
RPR800-100-XXX-Y	100	4
RPR820-150-XXX-Y	150	5



Ordering Information:

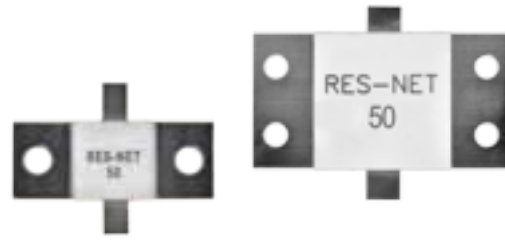


Dimensions are in inches [mm]
 Tolerance: .XXX = ±0.010
 .XX = ±0.015

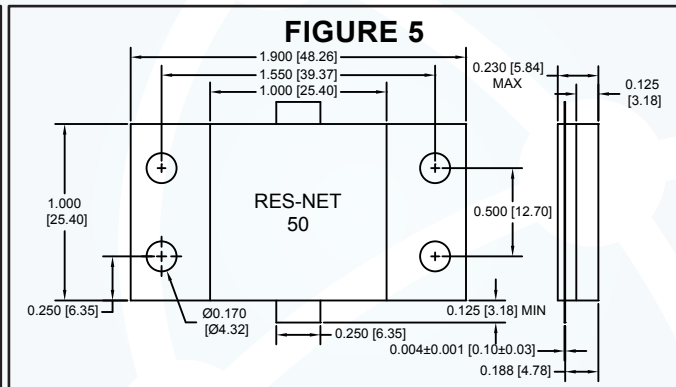
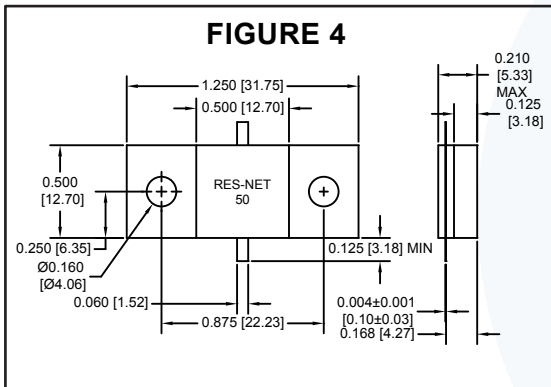
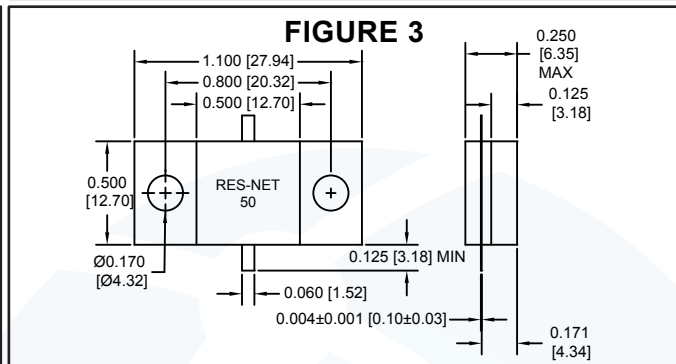
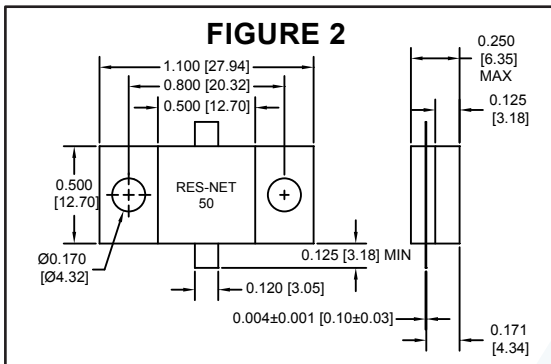
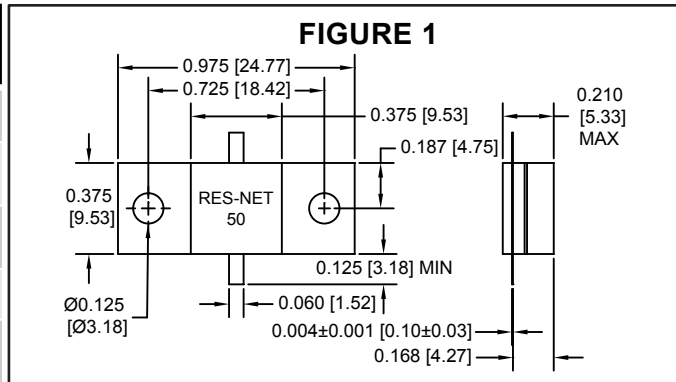


General Specifications

Substrate: Beryllium Oxide
 Resistive Film: Thick Film
 Resistance: XXX = 0.5 to 1 MOhm
 Tabs: Silver Plated Beryllium Copper
 Flange: Nickel Plated Copper
 Cover: Alumina
 Operating Temperature: -55°C to +150°C



Part Number	Power (W)	Figure
RPR975-250-XXX-Y	250	1
RPR1100-400-XXX-Y	400	2
RPR1100-500-XXX-Y	500	3
RPR1250-500-XXX-Y	500	4
RPR1900-800-XXX-Y	800	5



Ordering Information:

Example: **RPR 1900 800 50 5**

Series ———— ↑
 Length Size ———— ↑
 Power Rating ———— ↑
 Resistance ———— ↑
 Tolerance (±%) ———— ↑
 1:1%, 2:2%, 5:5%

Dimensions are in inches [mm]
 Tolerance: .XXX = ±0.010
 .XX = ±0.015

