

**ALUMINUM HOUSED
KELVIN 4 TERMINAL**

FEATURES:

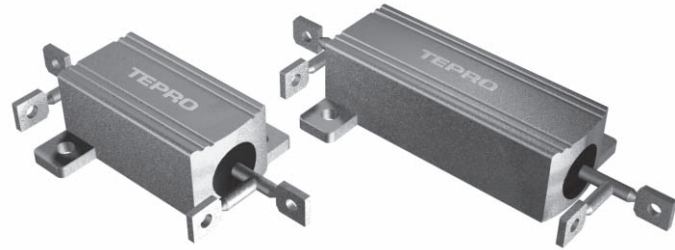
- Chassis mount for heat sink effect
- 10 to 100 watt ratings
- Very low resistance
- For sensing and control
- Silicone protected windings
- High stability

VARIATIONS:

- Special TC on request
- Terminal configuration and material

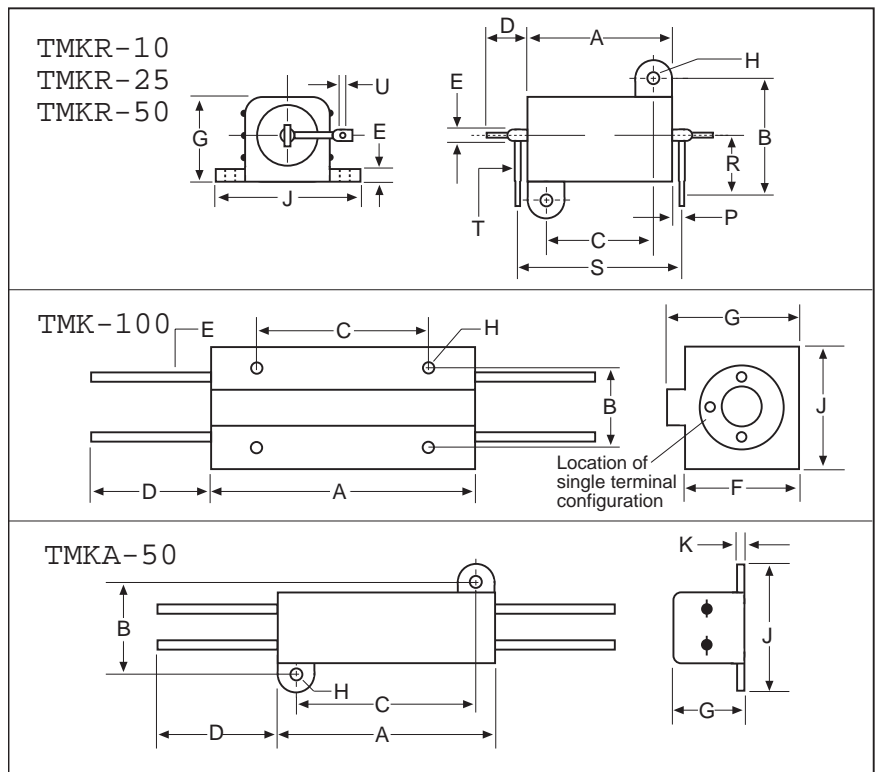
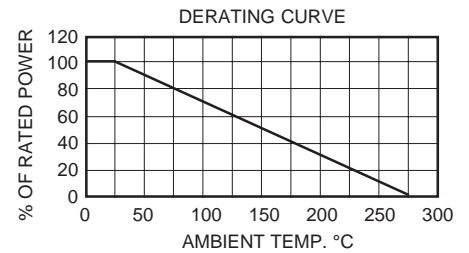
**GENERAL
SPECIFICATIONS:**

- Standard tolerances:
±0.05 to 5%
- Dielectric strength:
1000 VAC TMK-25
2000 VAC TMK-50, TMK-100
- Insulation resistance:
10000 megohms minimum
- Temperature coefficients:
10Ω and above: ±20ppm
1Ω to 9.9Ω: ±50ppm
Below 1Ω: ±90ppm
- Terminal strength:
10lb. pull test all types
- Standard terminals:
Tinned copper
- Housing: Anodized aluminum
- Core: Ceramic, steatite or alumina
- Winding: Copper-nickel or nickel-chrome alloy as required by resistance
- Sealant: High-temperature silicone
- Power rating: Based on;
(a) full power operation at 25°C
(b) 1% maximum Δ R in 1000 hour load life
(c) maximum hotspot 275°C
(d) mounting on proper heat sink
- Recommended heat sink:
Aluminum chassis;
7 x 5 x 2 x .040 TMK-25
12 x 12 x .050 TMK-50
12 x 12 x .125 TMK-100



DERATING:

Operation in ambients above 25°C and on reduced chassis areas requires derating in accordance with the accompanying curve.



STANDARD CONFIGURATIONS AND ELECTRICAL SPECIFICATIONS:

TEPRO TYPE	RESISTANCE (Ohms)		POWER RATING (Watts)	DIMENSIONS (Inches)														
	MIN.	MAX.		A	B	C	D	E	F	G	H	J	K	P	R	S	T	U
				±.005	±.005	±.005	MIN.	AWG	±.005	±.005	±.001	±.005	±.003	±.032	±.032	±.032	±.005	±.005
TMKR-10	.001	40K	10	.750	.625	.562	.300"	#12	--	.406	.094	.812	.093	.15	.25	1.06	#16	.050
TMKR-25	.001	90K	25	1.062	.781	.719	.400"	#12	--	.562	.125	1.093	.093	.25	.25	1.60	#16	.050
TMKR-50	.001	250K	50	1.937	.844	1.562	1.5"	#12	--	.625	.125	1.156	.093	.26	.35	2.50	#16	.050
TMKA-50	.001	250K	50	1.937	.844	1.562	1.5"	#12	--	.625	.125	1.156	.093	.26	.35	2.50	#16	.050
TMK-100	.001	400K	100	2.250	.937	1.218	1.5"	#12	.937	1.125	.144	1.250	--	--	--	--	--	--