

TYPE "TSR" / "TSK"

TEPRO



TYPE "TSR" RADIAL LEAD TYPE "TSK" KELVIN 4 TERMINAL

FEATURES:

- Miniature size
- Continuous full power operation
- High-temperature silicone protected
- Radial lead for PC boards
- 4 terminal for shunts and sensing
- High stability

GENERAL SPECIFICATIONS:

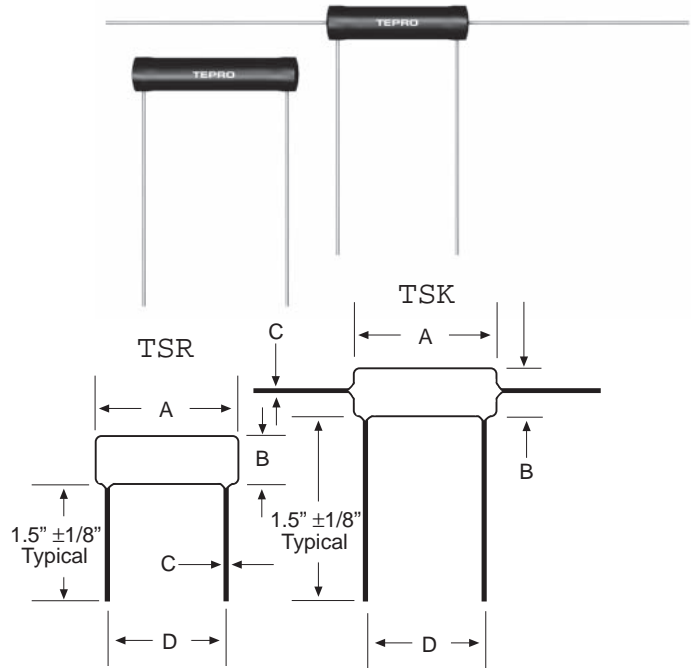
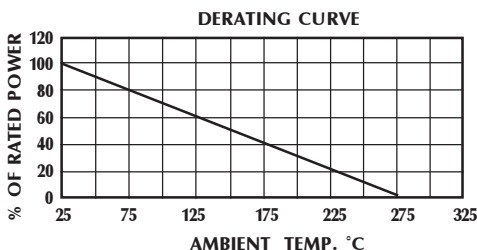
- Standard tolerances:
±0.05 to 5%
- Dielectric strength:
500 VAC 1 watt size
1000 VAC all others
- Insulation resistance:
1000 megohms minimum
- Temperature coefficients:
10Ω and above: ±20ppm
1Ω to 9.9Ω: ±50ppm
Below 1Ω: ±90ppm
- Short time overload:
5 sec. @ 5x rated power 3 watts and below
5 sec. @ 10x rated power over 3 watts
- Terminal strength:
5lb. pull test 1 watt and below
10lb. pull test all others
- Standard terminals:
Tinned copper weld, copper
- Core: Steatite or alumina
- Windings: Copper-nickel or nickel-chrome alloy as required by resistance
- Sealant: High-temperature silicone
- Power ratings:
Based on:
(a) full power operation at 25°C ambient
(b) maximum hotspot 275°C
(c) 1% maximum ΔR in 1000hr. load life

VARIATIONS:

- Tolerances to ±.01%
- Lead length and diameter
- Special temperature coefficients on request
- Noninductive (Ayrton-Perry) windings
- Molded types available

DERATING:

Operation in ambients above 25°C require derating in accordance with the Derating Curve.



STANDARD CONFIGURATIONS AND ELECTRICAL SPECIFICATIONS:

TEPRO TYPE	DIMENSIONS (Inches)				POWER RATING (WATTS)	RESISTANCE RANGE (OHMS)
	A ±.031 (±.787)	B ±.031 (±.787)	C ±.002 (±.050)	D ±.031 (±.787)		
TSR1	.500 (12.7)	.156 (3.96)	.032 (.812)	.400 (10.2)	1.0	.01 - 20K
TSR2B	.562 (14.3)	.187 (4.75)	.032 (.812)	.500 (12.7)	3.0	.01 - 32K
TSR3	.609 (15.5)	.250 (6.35)	.040 (1.02)	.500 (12.7)	3.0	.01 - 42K
TSR5	.875 (22.2)	.312 (7.92)	.040 (1.02)	.700 (17.8)	5.0	.05 - 95K
TSR7	1.218 (30.9)	.312 (7.92)	.040 (1.02)	1.10 (27.9)	7.0	.05 - 145K
TSR10	1.812 (46.0)	.375 (9.53)	.040 (1.02)	1.60 (43.2)	10.0	.05 - 275K
TSK1	0.496 (12.598)	0.118 (2.997)	0.032 (0.813)	0.400 (10.160)	1.0	.1 - 10K
TSK2B	0.575 (14.605)	0.181 (4.597)	0.032 (0.813)	0.500 (12.700)	3.0	.05 - 32K
TSK3	0.650 (16.510)	0.220 (5.588)	0.040 (1.016)	0.500 (12.700)	3.0	.05 - 32K
TSK5	0.913 (23.190)	0.299 (7.594)	0.040 (1.016)	0.800 (20.320)	5.0	.05 - 95K
TSK7	0.913 (23.190)	0.299 (7.594)	0.040 (1.016)	0.800 (20.320)	7.0	.05 - 145K
TSK10	1.730 (43.942)	0.299 (7.594)	0.040 (1.016)	1.600 (40.640)	10.0	.05 - 275K

Notes: For non-inductive windings add "NI" to type. Maximum resistance 1/3 that shown. Metric dimensions in (mm) for information only. (1" = 25.4 mm) All data and dimensions subject to change without notice.