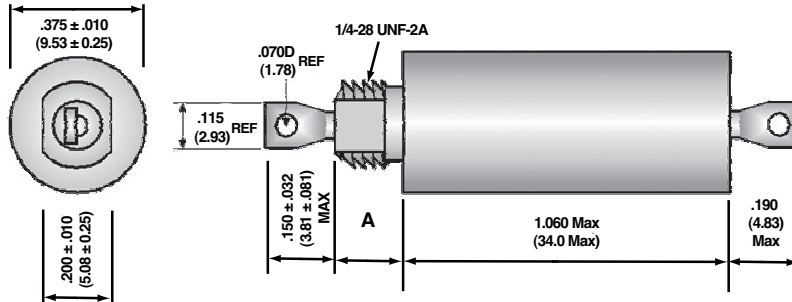


T-Section Filters

4030 / 4130 / 4230 / 4330



Schematic

Part No.		Working Voltage	Minimum Insertion Loss (dB)							Max DCR (ohms) @ 25° C	Rated DC Current	
A=.187	A=.312		10 kHz	14 kHz	30 kHz	150 kHz	300 kHz	500 kHz	1 MHz			10 MHz - 1 GHz
Series 4030-XXX												
4030-010	4030-020	50 VDC Multi-Section	30	50	70	70	70	70	70	80	12	.25
4030-011	4030-021		—	20	53	65	70	70	70	80	3	.50
4030-012	4030-022		—	—	20	55	70	70	70	80	.75	1.0
4030-013	4030-023		—	—	—	42	62	70	70	80	.189	2.0
4030-014	4030-024		—	—	—	33	54	70	70	80	.081	3.0
4030-015	4030-025		7	9	15	29	35	39	42	70	.006	10.0
Series 4130-XXX												
4130-010	4130-020	100 VDC Multi-Section	15	39	70	70	70	70	70	80	12	.25
4130-011	4130-021		—	11	47	70	70	70	70	80	3	.50
4130-012	4130-022		—	—	12	52	70	70	70	80	.75	1.0
4130-013	4130-023		—	—	—	33	56	70	70	80	.189	2.0
4130-014	4130-024		—	—	—	24	54	70	70	80	.081	3.0
4130-015	4130-025		4	6	12	25	32	36	42	70	.006	10.0

Drawings may not be to scale; refer to dimensions.