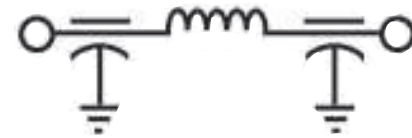
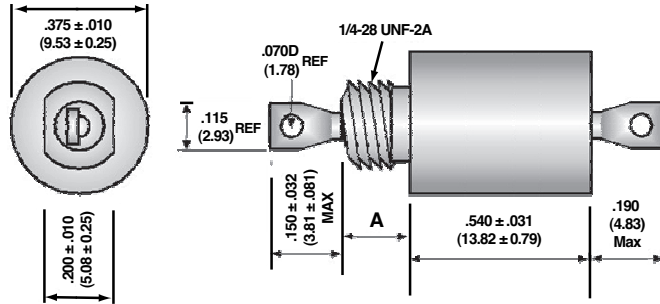


Pi-Section Filters

4010 / 4110 / 4210



Schematic

Part No		Min Cap μ f	Working Voltage	Minimum Insertion Loss (dB)						Max DCR (ohms)	Rated DC Current
A = .187	A = .312			30 kHz	150 kHz	300 kHz	1 MHz	10 MHz	1 GHz		
Series 4010-XXX											
4010-010	4010-020	—	50 VDC	44	70	70	70	70	70	10	.10
4010-011	4010-021	—		36	70	70	70	70	70	4	.25
4010-012	4010-022	—		24	66	70	70	70	70	1	.50
4010-013	4010-023	—		15	54	70	70	70	70	.25	1.0
4010-014	4010-024	—		15	40	60	70	70	70	.063	2.0
4010-015	4010-025	—		15	30	50	70	70	70	.027	3.0
4010-016	4010-026	—		15	28	34	40	52	70	.003	10.0

Drawings may not be to scale; refer to dimensions.